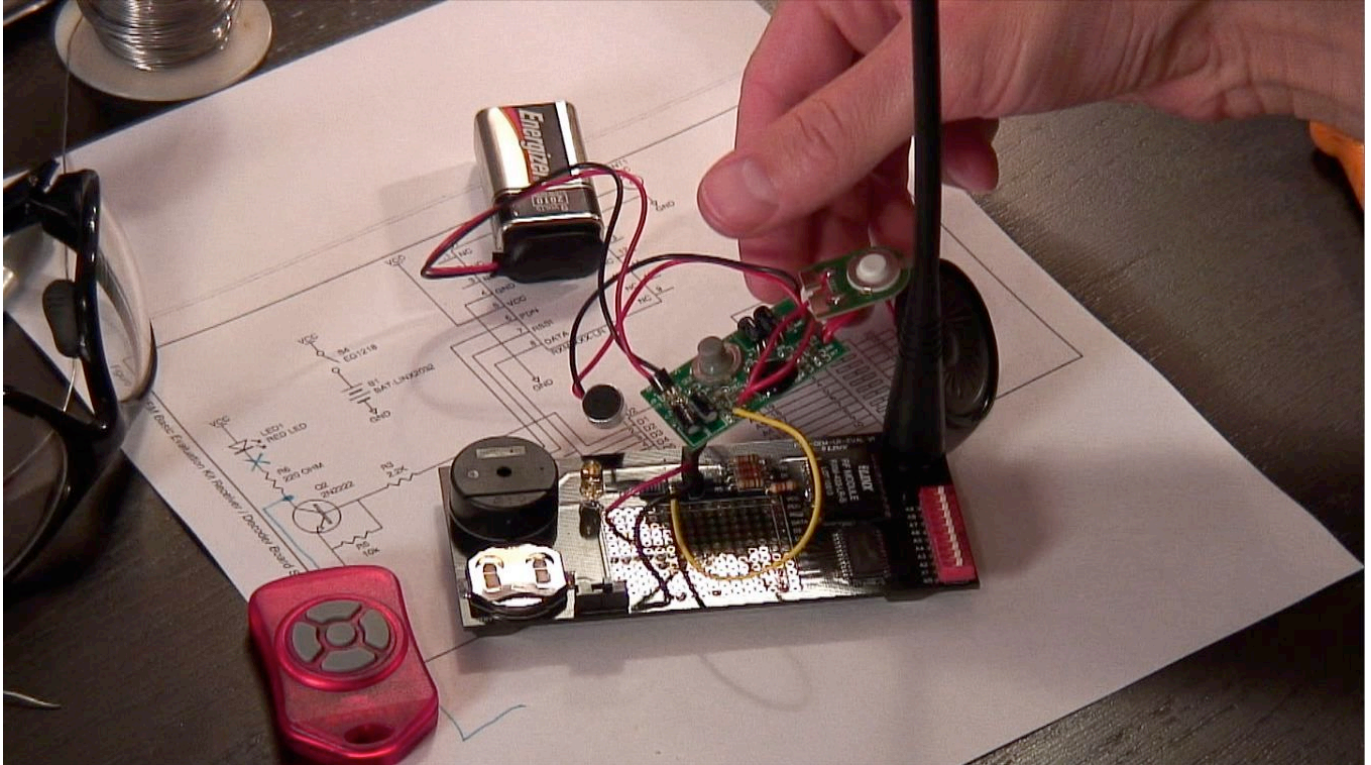


Weekend  
Projects



Make:  
technology on your time

## RF Modules (and having fun with sound)

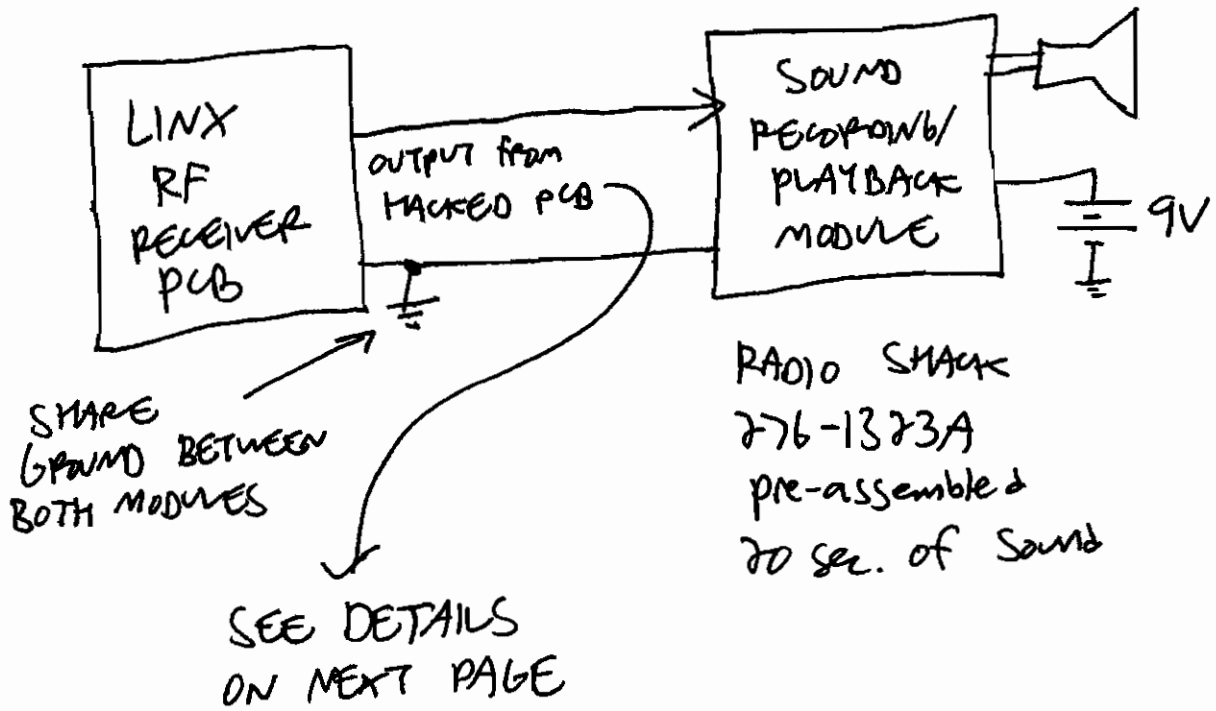
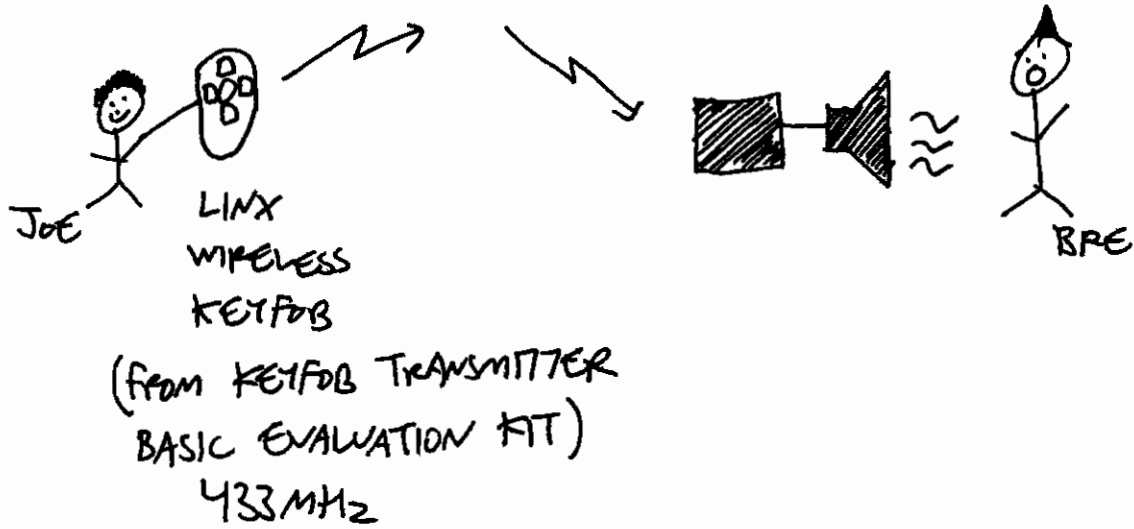


Joe Grand and I get together this weekend to show you how to use an RF (radio frequency) module. RF modules are used to send data over radio frequencies. RF modules are used in wireless game controllers, car-door opening systems and things like that.

A basic Radio Shack 9v Recording Module makes it so that we can trigger a prerecorded sound at will from a distance. Are the Halloween project gears ticking in your head?

We used the Linx Technologies Keyfob Transmitter Basic Evaluation Kit and in the video we showed modules from RF Digital, Radiotronics, Nordic Semiconductor, and Parallax. There are a lot more out there to check out and if you've got a favorite rf module, make sure to leave a note in the comment for this podcast on the makezine blog. If you've made a rad project that integrates rf modules, please take pictures of it and upload it to the Make: flickr pool.

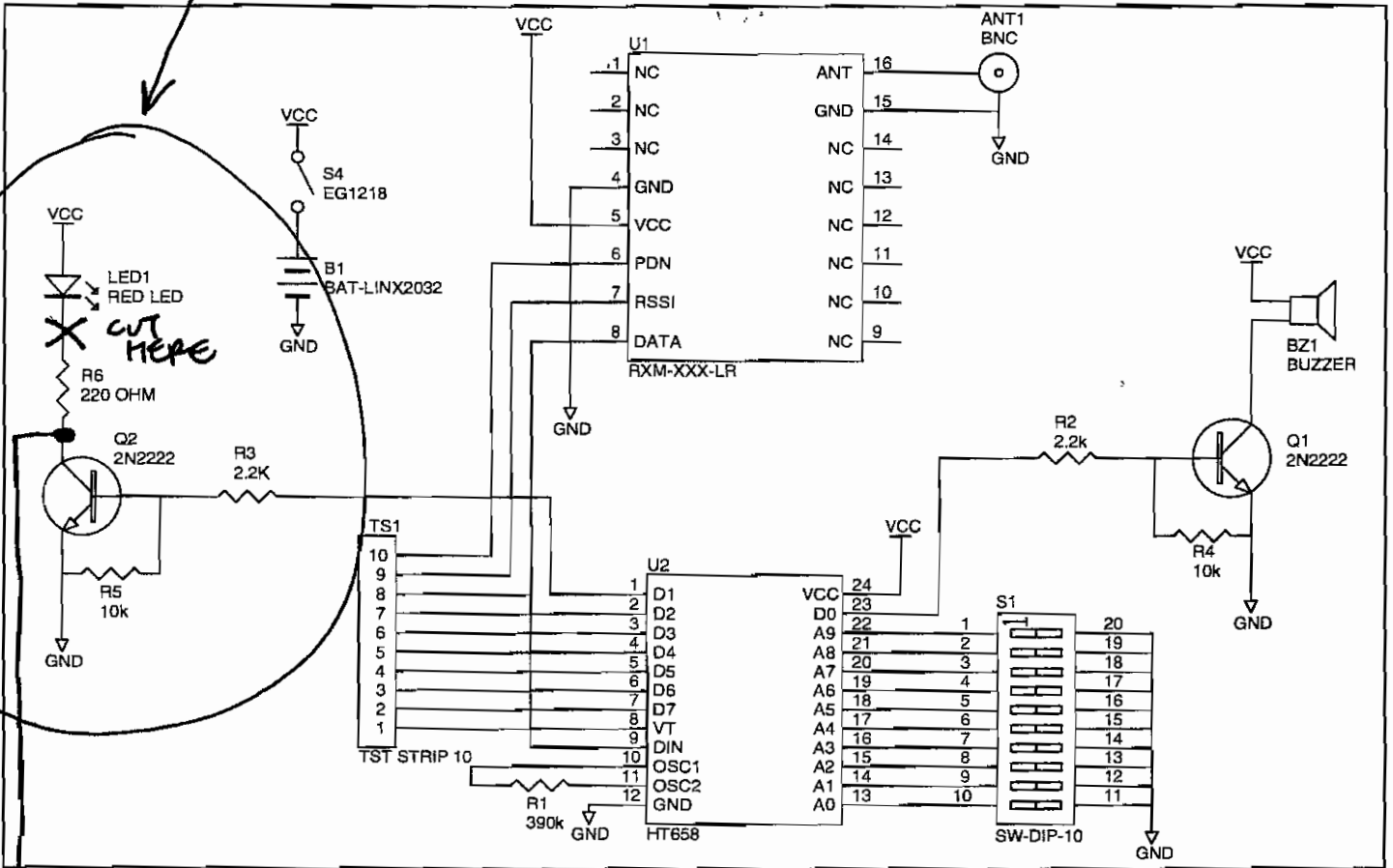
RF MODULES ( & HAVING FUN W/ SOUND)



7/23/07

# HACK FOR AWESOME ELECTRONICS WORKSHOP

Figure 3: OEM Basic Evaluation Kit Receiver / Decoder Board Schematic  
Page 6



CONNECT TO R3 ON  
RADIO STACK SOUND MODULE